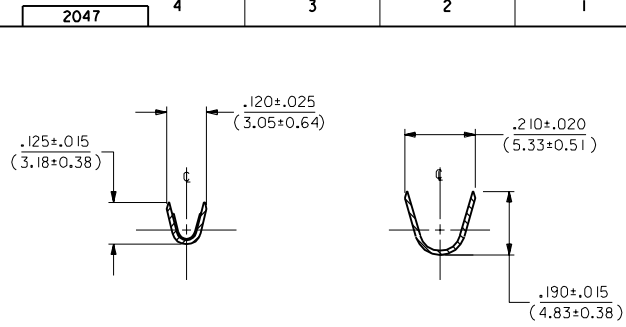
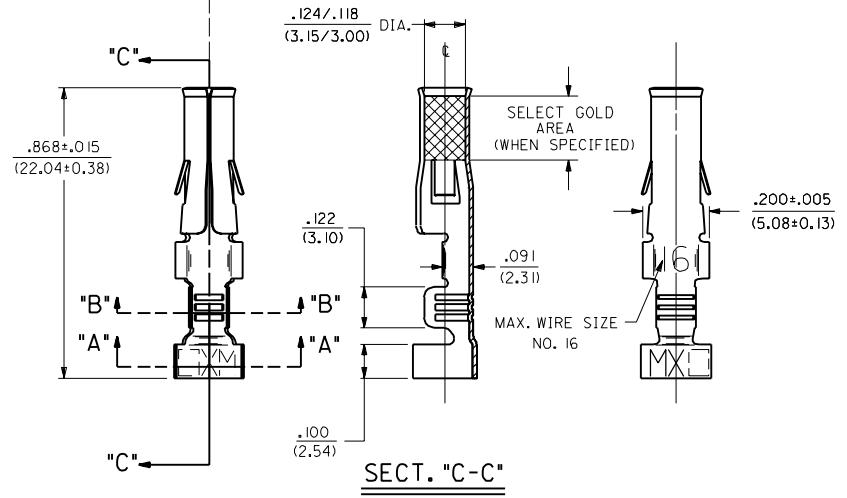
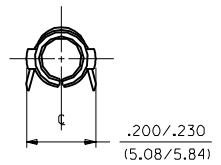


PART NO.	ENG. NO.
18-12-1222	2047-1(KP90)DL
18-12-1221	2047-1(KP90)I



SECT. "B-B"

SECT. "A-A"



SECT. "C-C"

LEGEND

2047-1(\*\*\*\*)\*

- VERSION
- FORM BLANK=CHAIN L=LOOSE
- P=PREPLATE BLANK=POSTPLATE
- FINISH CODE

NOTES:

1. TERMINAL FOR USE WITH .125/(3.17) SERIES HOUSINGS AND WILL ACCEPT 16 THRU 18 AWG WIRE HAVING A .120/(3.05) MAX. DIAMETER INSULATION.
2. INSERTION FORCE: 6.0 LBS. MAX. WHEN TERMINAL IS INSERTED INTO .125/(3.17) DIA. CORE HOLE.
3. PULL OUT FORCE: 30 LBS. MIN. RETENTION IN HOUSING .

FINISH CODES:  
901 HOT TIN DIP .000020/(0.0005) MIN.

MATERIAL NOTES:  
1. CARTRIDGE BRASS, ALLOY #C26000;  
.013/(0.33) THICK, SPRING TEMPER

EI	OBS. - (K555) & - (K555) L ECR US 0379 GC 9/21/95 RW
E	ADD SELECT AREA ECR US 0230 3-5-90 RW
D	REVISE PER ECR US 1189 11-28-89 TRM
C	REV. & REDRAWN ECR US 1941 KBW 10-4-88 RW

DIMENSIONS SHOWN METRIC (INCH)		▽ = 0	▼ = 0	REVISE ONLY ON CAD SYSTEM
UNLESS OTHERWISE SPECIFIED TOLERANCES: ANGULAR ± .0010		TITLE		
3 PLACE	± .010	---	---	CRIMP TERMINAL, FEMALE, .125/(3.17) DIA 16-18 AWG .120/(3.05) DIA. INSUL.
2 PLACE	± .014	± 0.25	---	
1 PLACE	---	± 0.35	---	
DRAFT WHERE APPLICABLE MUST REMAIN WITHIN DIMENSIONS				
MOLEX INCORPORATED		SHEET NO.	DATE	
LITTLE ROCK, AR 72652		1 OF 1	10 / 4 / 88	
PART NO.	2047-1	DRWG. NO.	SD-2047-1	
DRWG. BY	KBW	CHKD. BY	RW	
APP'D. BY	RAS	SCALE	4 : 1	
FILE NAME		THIS DRAWING CONTAINS INFORMATION THAT IS PROPRIETARY TO MOLEX INC. AND SHOULD NOT BE USED WITHOUT WRITTEN PERMISSION.		
S2047.K1		CP C		
DWN		NO. 1 P.S.		